

Stock Code: **70083LEDD-BSL/ACR**

Collection: Meteor

PRODUCT INFORMATION

Base: 70083 Parent: 70083LEDD
Mounting Type: Ceiling UPC: 641594204018
Finish: Brushed Silver
Diffuser: Acrylic Lens

PRODUCT MEASUREMENTS

FIXTURE	BACKPLATE / CANOPY
Length:	Length
Width:	Width:
Diameter 18"	Diameter:
Height: 4.5"	Height:
Extension:	
Overall Height: 6-125"	

TECHNICAL SPECIFICATIONS

SPECIFICATIONS

Frame Material: Aluminum
Diffuser Material: Acrylic
Lamping Type: SSL (Dedicated LED) Jbox: Standard
Lamping Base: SSL Lamp Wattage: 3 W
Lamp Quantity: 12 Total Wattage: 36 W
Voltage: 120v Lamps Included: Yes

QUALIFICATIONS

Location Rating Dry
Certification: ETL (US/Canada) Listed
ADA Compliant No Energy Star: No
JA8 Compliant: No Emergency Lighting: No
Marine Grade: No Warranty: 5 Year

PHOTOMETRICS

Dimmable: Yes Nominal Lumens 1920 Lm
CRI: 85 Delivered Lumens: N/A
CCT: 3000K
Recommended Dimmers:
(ELV)LUTRON Skylark SELV-300P; (TRIAC)LEVITON Sureslide
6633-P; (TRIAC)LUTRON Skylark S-600 or S-600P

Additional Notes:

10 feet of aircraft cable and cord included

Project Name: _____

Location: _____

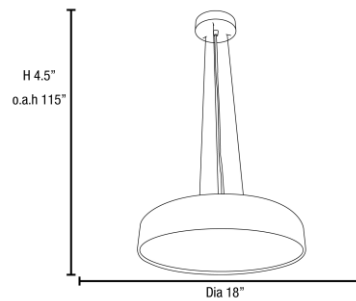
Type: _____

Quantity: _____

Notes:



LINE DRAWING



IES FILE

In addition to Access Lighting's purchase and warranty terms and conditions, by signing below or placing an order, you agree that you are authorized to bind the entity placing any order and acknowledge the following: All of sizes and measurements are approximate and all images are for illustrative purposes only. In the event of an inconsistency, the "Product Measurements" section controls. There also may be slight differences in the colors and designs compared to the displayed and printed images.

Signature: _____

Print Name _____ Date: _____

Toll Free 800-828-5483 www.AccessLighting.com

14410 Myford Road, Irvine, CA 92606

The information is subject to change without notice. 9/23/2022 70083LEDD-BSL_ACR.pdf

